



**EVERFLARE
PACKAGING**
PROVIDE STYLISH PACKING MATERIALS



**EVERFLARE
PACKAGING**
PROVIDE STYLISH PACKING MATERIALS

NINGBO EVERFLARE PACKAGING CO., LTD.

Factory Add : Industrial Zone ,No.6 Chehetou Village Ningbo China

Showroom&office Add : No.115 Huifeng West Road A Building 703/704,
Yinzhou District Ningbo China 315100

Tel:+86-18668861898

www.efpackaging.com

+86-18668861898

www.efpackaging.com



Everflare Packaging's mission is improve our customers' net income through our good products and Excellent service .

We serve a broad array of markets and customers ,including :Europe ,America ,Oceania and Asia ;Cosmetics packaging ,pharmaceutical packaging ,food packaging and so on ,with products ranging from single to compound ,simple to specialized .We believe that through our creativity ,dedication ,and expertise ,we are very confident in our ability to help you unlock profits by growing your sales ,decreasing your costs ,and improving your productivity .

Everflare Packaging is hybrid packaging supplier such as manufacturing ,distribution ,and service providers .

This means that we must be the best across manufacturing ,distribution ,and service providers .

Manufacturing :Our own production in large scale &broad scope delivers low cost and flexibility .

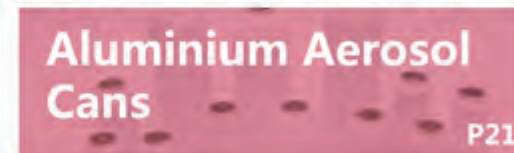
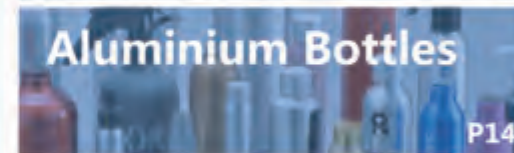
Distribution :Vast,capable network makes us reliable and close to you .

Services Specialty Offerings :Compelling suite of solutions addresses your needs and unlocks profit .

We strive to be the best of Made in China.

To do this ,we focus our attention on providing customers with fast ,efficient and gracious service .We are committed to returning profit to our business partners while creating a positive working environment for our employees .We strive to turn every business transaction into a pleasurable experience .

Product Catalogue



ALUMINIUM JARS

Our range of premium aluminium jars providing a number of consumer benefits: preserving freshness, preventing leakage and contamination and enhancing consumer confidence.

Size available: 5~1000ml

Suitable for a wide range of products, including: cosmetics, confectionery, polishes, waxes, candles, furniture care products, craft ideas and more.

Our Aluminium jar have stylish and attractive appreance,come with series:

- Screw Lid Series
- Smooth Screw Lid Series
- Slip Lid Series
- Click Lid Series
- Window Lid Series
- Rectangular Jar Series
- Customisation



Screw Lid Series

Aluminium screw top Aluminium jar is the most popular jars we sell. On trend, stylish, light weight aluminium jar supplied with brushed aluminium screw lid with white EPE (Expanded Polyethylene) wadding, which prevents leakage. Fashionable, sophisticated and practical choice for mineral make-up, balms, ointments, lip glosses, lip balms, body butters, creams, powders etc as well as craft and home applications. Aluminium containers are an excellent choice for protecting products against sunlight and light oxidation and therefore helping to prolong the shelf life of your products.



MODEL	SPECIFICATION				PACKING			
	CAPACITY ml	DIAM mm	HEIGHT mm	THICKNESS mm	CTN SIZE cm	PCS/CTN pcs	G.W. kgs	N.W. kgs
AJ251422	5	25	14	0.22	51x37x39	3000	11.5	10.1
AJ341622	8	36	15	0.22	51x37x39	3000	11.5	10.1
AJ372022	10	37	20	0.22	51x37x39	2800	11.4	9.8
AJ381722	10	38	17	0.22	51x37x39	2730	10.9	9.6
AJ401825	15	40	18	0.25	45x37x41	2000	11	10
AJ502130	30	50	21	0.3	43x43x40	960	6.4	5.2
AJ572130	40	57	21	0.3	43x43x33	735	7.6	6.4
AJ572730	50	57	27	0.3	43x43x34	550	5.6	5
AJ672830	60	67	25	0.3	43x36x31	300	4.5	4
AJ673530	80	67	35	0.3	44x36x40	300	6.2	5.1
AJ742330	80	74	23	0.3	44x44x36	300	6.5	5.5
AJ753535	90	75	35	0.35	44x44x39	360	6.5	5.8
AJ822730	100	82	27	0.3	52x36x44	260	3.2	2.2
AJ823730	150	82	37	0.3	52x36x44	220	3.4	2.8
AJ924035	200	92	40	0.35	61x45x46	185	3.5	3
AJ1003430	200	100	34	0.3	52x52x44	180	3.2	2.6
AJ924535	250	92	45	0.35	61x45x46	185	3.5	3
AJ1004340	250	100	43	0.4	61x45x46	207	3.9	3.2
AJ1103640	300	110	36	0.4	60x44x46	200	8.6	7.6
AJ1006050	350	100	60	0.5	44x36x44	84	4.2	3.5
AJ70013550	700	135	55	0.5	44x36x44	50	4.5	3.8
AJ100013550	1000	135	85	0.5	44x36x44	30	4.5	3.8

Smooth Screw Lid Series



MODEL	SPECIFICATION				PACKING			
	CAPACITY ml	DIAM mm	HEIGHT mm	THICKNESS mm	CTN SIZE cm	PCS/CTN pcs	G.W. kgs	N.W. kgs
AJD3520	10	35	20	0.3	58x58x38	2749	14.5	13.6
AJD3617	10	36	17	0.3	58x58x38	2730	14.5	13.6
AJD4119	15	41	19	0.3	58x58x38	2700	14.5	13.6
AJD4525	20	45	25	0.3	44x36x44	1190	8.9	8
AJD5323	30	53	23	0.3	44x44x34	960	6.4	5.2
AJD652030	50	65	20	0.3	43x36x31	300	4.8	4.2
AJD702530	60	70	25	0.3	44x44x34	300	4.5	4
AJD703030	70	70	30	0.3	51x37x39	420	6.5	6
AJD703535	90	70	35	0.35	44x44x39	360	6.5	5.8
AJD554330	70	55	43	0.3	44x36x39	360	6.5	5.8
AJD674230	100	67	42	0.3	44x44x36	300	6.5	5
AJD904540	250	90	45	0.4	61x45x46	185	3.5	3

Slip Lid Series



AJT361822
8ml



AJT401522
10ml



AJT441522
15ml



AJT452022
20ml



AJT612330
50ml



AJT782630
80ml



AJT503630
50ml



AJT604530
100ml



AJT655030
120ml



AJT805330
180ml



AJT756030
200ml



AJT1103640
300ml

MODEL	SPECIFICATION				PACKING			
	CAPACITY ml	DIAM mm	HEIGHT mm	THICKNESS mm	CTN SIZE cm	PCS/CTN pcs	G.W. kgs	N.W. kgs
AJT361822	8	35	18	0.22	45x38x38	2800	15	14
AJT401522	10	40	15	0.22	45x38x38	2800	15	14
AJT441522	15	44	15	0.22	45x38x38	2800	15	14
AJT452022	20	45	20	0.22	58x38x38	2080	13.5	12
AJT481830	20	48	18	0.3	58x38x38	2200	13.5	12
AJT511530	20	51	15	0.3	58x38x38	2000	13.5	12
AJT522530	30	52	25	0.3	58x58x38	1000	10.5	9.5
AJT503630	50	50	35	0.3	58x38x38	693	8.6	7.6
AJT7615030	50	76	15	0.3	58x38x38	1000	9.5	8
AJT612330	50	62	23	0.3	43x36x31	300	4.8	4.2
AJT842130	80	84	21	0.3	43x36x31	250	3.6	3
AJT782630	80	78	26	0.3	44x44x36	300	6.5	5.5
AJT822830	100	82	28	0.3	52x36x44	260	3.2	2.2
AJT604630	100	60	46	0.3	58x38x38	540	9.8	8.1
AJT655030	120	65	50	0.3	60x45x45	500	8.9	7.5
AJT942130	125	94	21	0.3	43x36x31	250	5	4.3
AJT805330	180	80	53	0.3	60x43x45	280	7.5	6
AJT756030	200	75	60	0.3	60x43x45	270	7.3	5.9
AJT943830	250	94	38	0.3	58x38x38	185	6.4	5.6
AJT1103640	300	110	36	0.4	60x43x45	132	6.8	5.2

Click Lid Series



MODEL	SPECIFICATION				PACKING			
	CAPACITY ml	DIAM mm	HEIGHT mm	THICKNESS mm	CTN SIZE cm	PCS/CTN pcs	G.W. kgs	N.W. kgs
AJC402030	15	40	20	0.3				
AJC502530	30	50	25	0.3	58x38x38	1200	11	9.6
AJC653030	80	65	30	0.3	60x45x45	540	8	6.5
AJC763430	100	76	34	0.3	60x45x45	500	9	7.5
AJSO-100	100	75	23	0.35	44x36x44	300	6.2	5.5



MODEL	SPECIFICATION				PACKING			
	CAPACITY ml	DIAM mm	HEIGHT mm	THICKNESS mm	CTN SIZE cm	PCS/CTN pcs	G.W. kgs	N.W. kgs
AJK481730	20	48	17	0.25	44x36x33	1200	6.5	6
AJK741830	60	74	18	0.3	44x36x33	300	5.6	5
AJK753030	100	75	30	0.3	44x36x40	300	5.8	5.3
AJK854030	165	85	40	0.3	44x36x44	200	6.5	6

Window Lid Series

Our window container are suitable for holding brightly coloured eye shadow, cuticle cream, lip balm and other beauty products. They are also ideal for holding edible items, such as tea leaves, candy, due to the food safe coated lacquer.

The window allow the consumer to view the attractive product inside the container. If you have a label, it not only provide branding but also creates tamper-evidence. The closure provides ease of opening and re-sealable functionality. Overall design achieves shelf presence and strong consumer appeal.



MODEL	SPECIFICATION				PACKING			
	CAPACITY ml	DIAM mm	HEIGHT mm	THICKNESS mm	CTN SIZE cm	PCS/CTN pcs	G.W. kgs	N.W. kgs
AJTW351822	5	35	18	0.22	45x38x38	2800	15	14
AJTW452022	20	45	20	0.22	58x38x38	2080	13.5	12
AJTW452330	25	45	23	0.3	58x38x38	2050	13	11.5
AJTW522530	30	52	25	0.3	43x43x40	960	6.4	5.2
AJTW604530	100	60	45	0.3	64x45x45	500	10	8.9
AJTW655030	120	65	50	0.3	60x45x45	450	10	8.5
AJTW756030	180	75	60	0.3	60x43x45	270	7.3	5.9
AJTW803530	150	80	35	0.3	52x36x44	220	3.4	2.8
AJW401830	15	40	18	0.3	45x37x31	2000	11	10
AJW522130	30	52	21	0.3	43x43x40	960	6.4	5.2
AJW572730	50	57	27	0.3	43x43x34	550	5.6	5
AJW672530	60	67	25	0.3	43x36x31	300	4.8	4.2
AJW673530	80	67	35	0.3	44x36x40	300	6.5	5
AJW822730	100	82	27	0.3	52x36x44	260	3.2	2.2
AJW823730	150	82	37	0.3	52x36x44	220	3.4	2.8

Rectangular Jar Series

We had now develop some rectangular Aluminium jars, which is perfect for lip balm, solid perfume, mints and more. Popular for dispensaries! Coated with an FDA approved varnish that minimizes the potential for corrosion and scratching. Two-piece set includes container and lid.

Our material is Aluminium with FDA varish, different with tinplate material, our jars will not rust!



MODEL	SPECIFICATION				PACKING			
	CAPACITY ml	LENGTH mm	WIDTH mm	HEIGHT mm	CTN SIZE cm	PCS/CTN pcs	G.W. kgs	N.W. kgs
SJA-10	10	60	34	12	60x45x45	1500	11	10
SJA-15	15	60	34	13	60x45x45	1400	11	9.8
SJA-60	60	62	47	24	58x58x38	784	10.5	7.8
SJA-80	80	72	53	25	60x45x45	833	11.5	10
SJA-100	100	84	62	21	60x45x45	720	12.5	11
SJA-150	150	95	70	28	60x43x45	375	8.5	7
SJA-90	90	69	69	36	60x45x45	800	12	10.3
SJA7555	100	75	55	33	60x45x45	750	13	11.5
SJA-200	200	98	78	33	60x45x45	270	10.5	9

Customisation



Natural Colour



Embossing



Labels



Colour Coating



Silk Screen Printing



Offset Printing



Metalization



Anodizing



Hot Stamping

Aluminium CAP

Clear/colour coated * decorated * embossed * EPE liners * internally lacquered Rolled and straight edges *

suitable for many neck finishes 400, 410 & 415

Available in most diameters 12mm - 120mm

Suitable for use on glass, plastic and aluminium bottles, flasks & jars

Give Your Premium Pack A Real Added Value Feel!



MODEL	DIAM ml	HEIGHT mm	MODEL	DIAM ml	HEIGHT mm
L18/400	18	9.7	L40/410	40	12
L18/410	18	11	L40/410	40	13
L18/410	18.6	14	L40/410	40	14
L18/415	18	15.3	L42/415	42	14.3
L18/410	18.4	13.7	L45/410	45.5	11.5
L18/410	18.4	14	L47/400	47	10.5
L20/400	20.3	10.3	L47/410	47.8	12.2
L20/410	20.5	11	L49/410	49.6	11
L24/400	23.8	10.7	L49/410	49.6	12.6
L24/400	24.5	10.5	L52/410	52.7	12.9
L24/400	24	10.7	L54/410	54.5	12.5
L24/410	24	12	L55/410	55	14
L24/410	24	13	L56/410	56	12
L24/410	24.5	13	L58/410	58	12
L24/410	24	14	L60/410	60.3	12
L24/415	24	15	L62/410	62	12
L24/415	24	17	L63/410	63	12.3
L24/415	24.3	17.5	L67/410	67	11
L24/415	24.5	18.5	L67/410	67	12
L24/415	24.8	17	L67/410	67.5	13
L28/410	27.6	12.2	L67/415	67.5	15
L28/410	27.8	12	L68/410	68	12
L28/410	28	14	L70/410	70.7	12
L28/410	28.5	13	L70/410	70.7	11.5
L28/415	28	14.2	L75/415	75.6	15.5
L28/410	28.5	13.5	L82/410	82	13
L30/415	30.5	18	L87/415	87.6	15.2
L31/410	31.5	14.3	L89/415	89.8	15
L34/410	34	13	L89/415	89	17
L37/410	37	11	L90/415	90.3	15
L37/410	37.5	11.3	L92/415	92	15
L37/410	37.2	12.7	L99/415	99	19.7
L38/410	38.2	11	L100/415	100	16
L38/410	38	14	L110/410	110	12
L40/410	40	11	L120/415	120	18

Aluminium Tins



Our food grade, lacquered aluminium canisters / screw top tins are ideal for all your camping / survival storage needs. They are suitable for storing food, such as spices, mini survival kits and all essential bits and bobs. The screw top lid is liquid tight too! They are variety size meet your every needs!

MODEL	SPECIFICATION				PACKING			
	CAPACITY ml	DIAM mm	HEIGHT mm	THICKNESS mm	CTN SIZE cm	PCS/CTN pcs	G.W. kgs	N.W. kgs
AT405030	40	40	50	0.3	49x49x15	200	4	3
AT435530	50	43	55	0.3	AT604540	200	4.5	4
AT506530	80	50	65	0.3	60x45x45	528	10	8.9
AT604540	100	44	103	0.3	60x45x45	500	10	8.5
AT606040	120	60	60	0.4	60x45x45	450	10	8.5
AT655030	120	65	50	0.4	60x45x45	500	10	8.9
AT658540	200	65	85	0.4	60x45x45	400	10	9
AT757030	250	75	70	0.3	60x43x45	230	7.5	6
AT827540	400	82	75	0.4	60x43x45	144	6.5	5
AT8210040	500	82	100	0.4	60x43x45	140	7	6
AT9211540	750	92	115	0.4	60x43x45	70	5.6	4.5
AT8219540	1000	82	195	0.4	60x44x46	70	6.5	5



Aluminium Bottles

Our aluminium bottles offer a modern and stylish look for your products. The bottles are lined with epoxy/phenol formaldehyde (EPA) resin, ensuring your product does not come into direct contact with the aluminium.

Our aluminium bottles are available with a range of closures, including: standard screw caps, lotion pumps, atomiser and trigger sprays, depending how you wish your product to be dispensed.

With a range of sizes, from as small as 10ml, up to 1 litre, our aluminium bottles can be used for a wide variety of products. They're suitable for creams, lotions, waxes, polishes, hair care products, household cleaning products, car care solutions and more.



Cosmetic Bottles



MODEL	SPECIFICATION					PACKING			
	CAPACITY ml	DIAM mm	HEIGHT mm	MOUTH DIAM mm	CTN SIZE cm	PCS/CTN pcs	G.W. kgs	N.W. kgs	
AB23555	10	23.5	55	18	29x29x25.5	400	4	2.6	
AB2565	15	25	65	20	28x28x29	400	4.2	2.8	
AB2580	20	25	80	20	28x28x34.5	400	4.5	3	
AB3276	30	32	76	20/24	35x35x36	400	6.5	5.2	
AB3684	50	36	84	24	39x39x38	400	7.2	6	
AB3694	65	36	94	24	39x39x42	400	7.6	6.4	
AB36106	80	36	106	24	39x39x35	300	6.8	5.4	
AB40110	100	40	110	24	43x43x25	200	5.6	4.5	
AB45115	120	45	115	24	48x48x37	300	7.8	6.9	
AB45144	150	45	144	24	48x48x31	200	7.5	6.8	
AB50150	200	50	150	24/28	53x53x32	200	8.1	7.4	
AB50174	250	50	174	24/28	53x53x37	200	8.6	7.8	
AB50190	300	50	190	24/28	53x53x41	200	9.3	8.4	
AB53140	240	53	140	24/28	56x56x30	200	8.1	7.4	
AB73104	300	73	104	24/28	62x47x24	96	5.7	4.8	
AB59160	350	59	160	24/28	62x37x34	120	6.7	5.9	
AB66145	400	66	145	24/28	62x37x30	120	5.6	4.5	
AB73135	400	73	135	24/28	62x47x17	48	4	3.3	
AB66190	500	66	190	24/28	55x42x22	48	5.2	4.2	
AB73170	500	73	170	24/28	63x47x21	48	4.2	3.5	
AB80161	500	80	161	24/28	67x51x19	48	4.2	3.5	
AB73180	600	73	180	24/28	54x39x38	48	5.5	4.8	
AB73226	750	73	226	24/28	61x46x25	48	5.5	4.8	
AB80210	800	80	210	24/28	67x50x23	48	4.8	4	
AB80238	1000	80	238	24/28	67x50x26	48	5.2	4.1	
AB88255	1250	88	255	24/28	55x46x28	30	5	4.3	

Essential Oil Bottles



BATHROOM BOTTLES

SLPB Series



MODEL	SPECIFICATION			PACKING			
	CAPACITY ml	DIAM mm	HEIGHT mm	CTN SIZE cm	PCS/CTN pcs	G.W. kgs	N.W. kgs
AO-50	50	40	80	40x40x20	200	3.6	3
AO-100	100	40	110	44x44x25	200	4.7	4
AO-100	100	50	95	48x48x25	200	5	4.5
AO-150	150	50	110	54x54x32	200	7.5	6.8
AO-200	200	50	150	54x54x33	200	8.1	7.4
AO-250	250	55	155	55x55x34	200	8.1	7.4
AO-300	300	55	170	55x55x37	200	8.6	7.8
AO-300	300	65	136	62x37x30	120	5.6	4.5
AO-500	500	74	185	61x46x21	48	6.2	5.2
AO-500	500	65	198	56x42x22	48	4.2	3.5
AO-1000	1000	88	240	58x41x30	30	5.2	4.1
AO-1250	1250	88	246	55x46x28	38	5.6	4.8
AO-5000	5000	185	330	39x26x45	12	5.4	4

SFPB Series



SFPB Series



SFPB Series



Perfume Bottles



Spray Bottles



350ml 550ml 350ml 350ml



220ml 375ml 100ml 350ml 250ml



1000ml 500ml 300ml 200ml



28/400-T3



D73xH135mm
300ml

D73xH104mm
300ml



28/400-T1

750ml

STANDARD ALUMINIUM AEROSOL CANS

Metal can offer a large choice of finishes, from transparent metallic, overvarnished, matt, semi matte, glossy, and pearly effect. These sizes represent our standard ogival or spherical shoulder and flat shoulder aerosol cans. Everflare packaging seeks to meet all your requirements concerning diameter, lengths, shape and pressure resistance up to 18 bars



Diameter (mm)	Height	Opening	Full Volume ml	Shoulder		
				Round	Flat	Rim
35	70	25.4	53	-	-	-
35	80	25.4	62	-	-	-
35	90	25.4	71	-	-	-
35	135	25.4	112	-	-	-
38	90	25.4	88	-	-	-
38	94	25.4	90	-	-	-
40	90	25.4	94	-	-	-
40	100	25.4	105	-	-	-
40	130	25.4	140	-	-	-
45	120	25.4	160	-	-	-
45	135	25.4	180	-	-	-
45	150	25.4	206	-	-	-
45	190	25.4	266	-	-	-
50	150	25.4	252	-	-	-
50	156	25.4	270	-	-	-
50	174	25.4	295	-	-	-
53	125	25.4	233	-	-	-
53	140	25.4	258	-	-	-
53	155	25.4	300	-	-	-
53	220	25.4	433	-	-	-
59	130	25.4	297	-	-	-
59	180	25.4	430	-	-	-
59	215	25.4	520	-	-	-
59	235	25.4	560	-	-	-
66	140	25.4	373	-	-	-
66	160	25.4	440	-	-	-
66	190	25.4	541	-	-	-
66	200	25.4	575	-	-	-
66	210	25.4	609	-	-	-
66	220	25.4	642	-	-	-
66	240	25.4	710	-	-	-



Innovative Aluminium Aerosol Cans

A new generation of innovative, once alternative shaped, Aluminium aerosol cans are already a new standard which can be flitted to the individual needs of our customers. Rimmed, shaped, tanfer flat shoulder cans, and embossed cans are all possible for Everflare Packaging to produce.



20MM OPENING ALUMINIUM CANS

our 20mm opening aerosols can be in the following diameters: 22mm, 25mm, , 35mm. The most common applications are in the pharmaceutical, cosmetics and etc.



Diameter (mm)	Height	Opening	Full Volume ml	Shoulder						
				Round	Flat	Rim	Gorge	Bullet	Drum	Shape
45	125	25.4	175	-	-	-	-	-	-	-
45	150	25.4	210	-	-	-	-	-	-	-
45	190	25.4	270	-	-	-	-	-	-	-
53	110	25.4	210	-	-	-	-	-	-	-
53	140	25.4	270	-	-	-	-	-	-	-
53	160	25.4	300	-	-	-	-	-	-	-
53	173	25.4	335	-	-	-	-	-	-	-
53	190	25.4	350	-	-	-	-	-	-	-
53	205	25.4	405	-	-	-	-	-	-	-



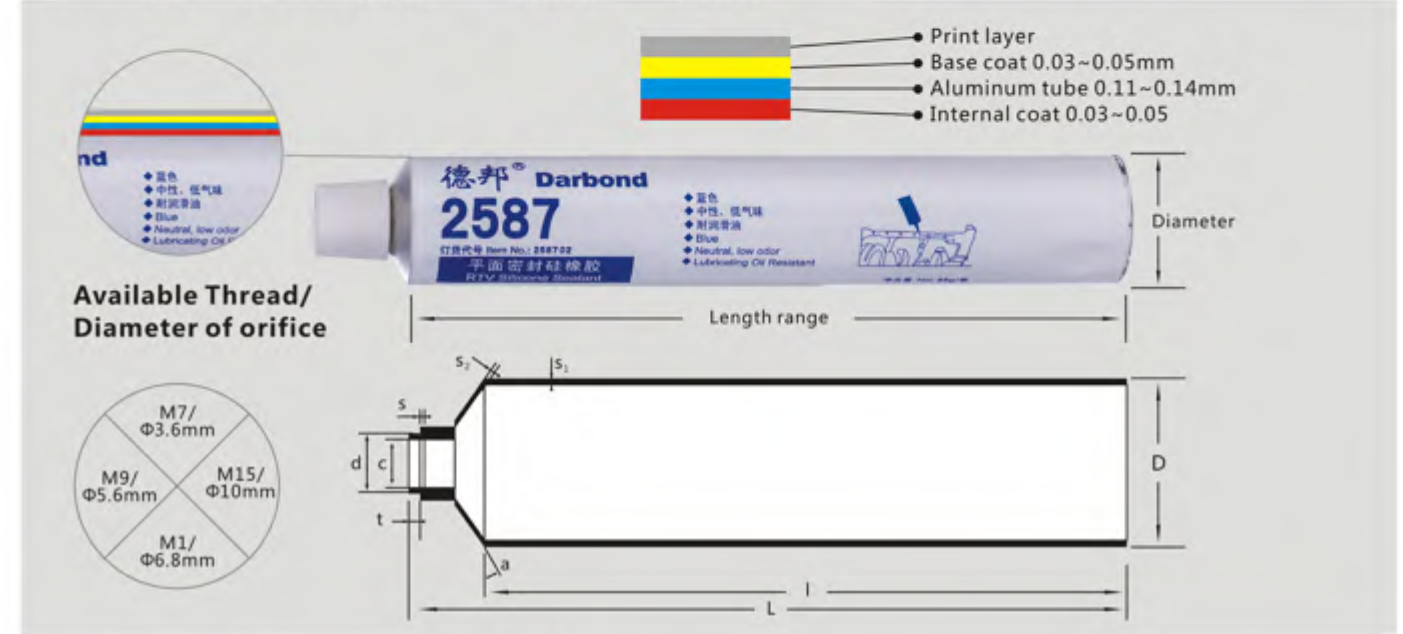
Diameter (mm)	Height	Opening	Full Volume ml	Shoulder	
				Round	Flat
22	58	20	20	-	-
22	65	20	22	-	-
22	75	20	25	-	-
22	90	20	30	-	-
22	100	20	35	-	-
25	65	20	31	-	-
25	75	20	34	-	-
25	80	20	36	-	-
25	90	20	40	-	-
25	100	20	44	-	-
35	70	20	53	-	-
35	80	20	62	-	-
35	90	20	71	-	-
35	100	20	80	-	-
35	120	20	98	-	-
35	130	20	108	-	-

Aluminum Tube



DISCRIPTION OF PRODOUCT

DIAMETER (mm)	D	L(1)	S	S1	S2	d	c	h	h	h
12.7	12.7±0.1	±0.5	0.14±0.04	0.09±0.02	0.40±0.10	M6x1	3.5±0.3	5.3±0.2	0.5±0.3	30°/27°
13.5	13.5±0.1	±0.5	0.14±0.04	0.09±0.02	0.40±0.10	M7x1.25	4.5±0.3	5.5±0.2	0.5±0.5	30°/27°
16	16±0.1	±0.5	0.14±0.04	0.10±0.02	0.50±0.15	M9x1.25	5.5±0.3	5.7±0.2	1.0±0.5	30°/27°
19	19±0.1	±0.5	0.14±0.04	0.14±0.02/-0.01	0.50±0.15	M9x1.25	5.5±0.3	5.7±0.2	1.0±0.5	30°/27°
22	22±0.1	±0.5	0.14±0.04	0.12±0.02	0.50±0.15					
25	25±0.1	±1.0	0.15±0.05	0.12±0.02	0.55±0.15					
28	28±0.1	±1.0	0.15±0.05	0.13±0.02	0.60±0.15					
30	30±0.1	±1.0	0.15±0.05	0.14±0.02/-0.03	0.60±0.15					
32	32±0.1	±1.0	0.15±0.05	0.14±0.02/-0.03	0.60±0.15					
35	35±0.1	±1.0	0.15±0.05	0.14±0.02/-0.03	0.60±0.15					
38	38±0.1	±1.0	0.15±0.05	0.14±0.02/-0.03	0.60±0.15					
40	40±0.1	±1.0	0.15±0.05	0.14±0.02/-0.03	0.60±0.15					
45	45±0.1	±1.0	0.15±0.05	0.15±0.03	0.70±0.20					



FILLING VOLUME ml	DIAMETER D1 mm	CYLINDRICAL L1 TUBE LENGTH(mm)			THREAD				
		M7	M9	M15	DIAMETER OF ORIFICE(mm)				
		Φ3.6	ø5.6	ø6.8	ø10				
4	13.5	47	51	55	*	*			
5	13.5	55	59	63	*	*			
6	13.5	63	65	69	*	*			
7	13.5	71	75		*	*			
8	16		65	69	*	*			
9	16	67	71	75	*	*			
10	16	73	77	81	*	*			
12	16	84	88	92	*	*			
15	19	65	70	75	*	*	*		
20	19	77	82	87	*	*	*		
25	19	95	100	106	*	*	*		
30	19	114	119	125	*	*	*		
32	22	93	98	104	*	*	*		
35	25	77	82	88	*	*	*		
40	22	107	112	118	*	*	*		
45	25	89	94	100	*	*	*		
50	25	111	116	122	*	*	*		
55	28	94	99	105	*	*	*		
60	25	133	138	144	*	*	*		
65	28	112	117	123	*	*	*		
70	30	101	106	112	*	*	*		
75	32	96	102		*	*	*		
80	28	156	161	167	*	*	*		
85	30	139	144	150	*	*	*		
90	32	126	131	137	*	*	*		
95	35	110	115	121	*	*	*		
100	32	160	165	171	*	*	*		
105	35	139	144	150	*	*	*		
110	32	193	198	204	*	*	*		
115	35	167	172	178	*	*	*		

VOLUME ml	DIAMETER(mm)											
	12	13.5	16	19	22	25	28	30	32	35	38	40
2		55										
5		60										
7		75										
10			60									
12			84	65								
20				82	70							
25				102	85							
30					120	95						
40					135	115	95					
50						105	90					
60						138	125	112	100			
75						185	146	135	118			
80							155	150	123	110		
90							185	175	145	130	120	
125									175	155	142	
150										175	164	
200											200	
250												200
300												
Min.Length	50	60	60	65	70	80	90	90	100	100	100	110
Max.Length		75	105	105	130	170	180	190	190	200	200	200

* AREA WITH GREEN BACKGROUND REPRESENT THE RECOMMEND LENGTH SPECIFICATION

Tinplate Box



RT-01
45xH15mm



RT-02
50x28mm



RT-03
45xH15mm



RT-04
77x51mm



ST-05
84x74x17mm



ST-06
89x89x22mm



ST-07
98x87x19mm



ST-08
93x87x19mm



RT-05
80x25mm



RT-06
D95xh34mm



RT-07
D74xH26mm



RT-08
D82xH32mm



ST-09
85x40x10mm



ST-10
158x104x13mm



ST-11
160x110x20mm



ST-12
192x140x21mm



TJ5526
30ml



TJ6032
50ml



TJ8542
100ml



TJ10045
200ml



ES-01
110x60x14mm



ES02
201x68x18mm



EF-03
200x105x17mm



ES-04
110x80x16mm



ST-01
L43xW32xH20mm



ST-02
60x50x15mm



ST-03
100x63x20mm



ST-04
80x80x18mm



EF948
94x81x18.5mm



HT-01
76x72x40mm



SJASP-100
92x72x37mm



RT6080
D60xH80mm

PET Jar



MODEL	SPECIFICATION			PACKING			
	CAPACITY ml	DIAM mm	HEIGHT mm	CTN SIZE cm	PCS/CTN pcs	G.W. kgs	N.W. kgs
PJ-30	30	40	35	45x45x44	1440	11	10
PJ-50	50	50	42	45x45x44	800	10.6	9.6
PJ-100	100	73	40	62x41x57	585	12.5	11.5
PJ-120	120	73	46	62x41x57	585	12.5	11.5
PJ-150	150	73	50	62x41x57	450	10.5	9.5
PJ-200	200	73	64	62x41x57	360	8.5	7.5
PJ-250	250	73	82	62x41x57	315	7.9	6.9
PJL-120	120	94	38	62x41x57	364	13.7	12.7
PJL-200	200	94	48	62x41x57	284	11	10
PJL-300	300	94	63	62x41x57	232	9	8.1
PJL-500	500	94	108	62x41x57	140	8.5	7.8

Bamboo Container



■ Bamboo Bottle

MODEL	SPECIFICATION				PACKING			
	CAPACITY ml	DIAM mm	HEIGHT mm	NECK SIZE mm	CTN SIZE cm	PCS/CTN pcs	G.W. kgs	N.W. kgs
BMN4287	50	42	87	24	39x39x38	400	17.2	16
BMN4297	65	42	97	24	39x39x42	400	17.6	16.4
BMN46113	100	46	113	24	43x43x25	200	16.6	15.5
BMN51118	120	51	118	24	48x48x37	300	19.8	18.9
BMN5147	150	51	147	24	48x48x31	200	19.5	18.8
BMN56153	200	56	153	24/28	53x53x32	200	21.1	20.4
BMN56177	250	56	177	24/28	53x53x37	200	22.6	21.8

■ Bamboo JAR

MODEL	SPECIFICATION				PACKING			
	CAPACITY ml	DIAM mm	HEIGHT mm	THICKNESS mm	CTN SIZE cm	PCS/CTN pcs	G.W. kgs	N.W. kgs
BMJ3823	10	38	23	0.22	51x37x39	3000	22.5	20.3
BMJ4726	15	47	26	0.25	45x37x41	2000	21	20
BMJ4729	30	57	29	0.3	43x43x40	960	17.5	16.3
BMJ6435	50	64	35	0.3	43x43x34	550	17.6	17
BMJ7433	60	74	33	0.3	43x36x31	300	17.5	17
BMJ7443	80	74	43	0.3	44x36x40	300	20.2	19.1
BMJ8935	100	89	35	0.3	52x36x44	360	20.5	19.8
BMJ8945	150	89	45	0.3	52x36x44	260	18.2	17.2
BMJ9948	200	99	48	0.3	61x45x46	220	19	17.8