

汕头市博斯特 塑胶制品有限公司

汕头市博斯特塑胶制品有限公司是一家集设计、开发、销售为一体的规模化生产化妆品包装容器的专业厂家。是雅菲彩妆配套厂产品品质和产能升级新成立一家企业，经过十多年的发展，新厂房目前拥有九千多平方米的现代化厂房，无尘装配车间，现代化注塑车间，三十三台高精密注塑成型机（其中十四台在申购中，已到19台）、吹瓶机、丝印烫金雕刻等先进设备。

在开发新、优产品的同时为客户提供专业知识的咨询服务，并根据不同客户的需求设计、生产各类包装容器。目前我们已拥有一批高素质的专业技术人员和管理人员，技术力量雄厚，能满足顾客对化妆品不同规格的需求。从模具设计制造、注塑成形、产品表面工艺处理到装配包装一整套工艺为客户提供高品质的快捷服务。

依靠技术求发展，不断为用户提供满意的产品是我们始终不变的追求，公司秉承“质量至上，诚信为本”的宗旨，开创新高，管理严谨，追求卓越，致力为客户提供更优质更完美的包装，更周到的服务，更合理的价格，不断注入新技术及创新意识，与客户共创化妆品行业的辉煌成就！



About us

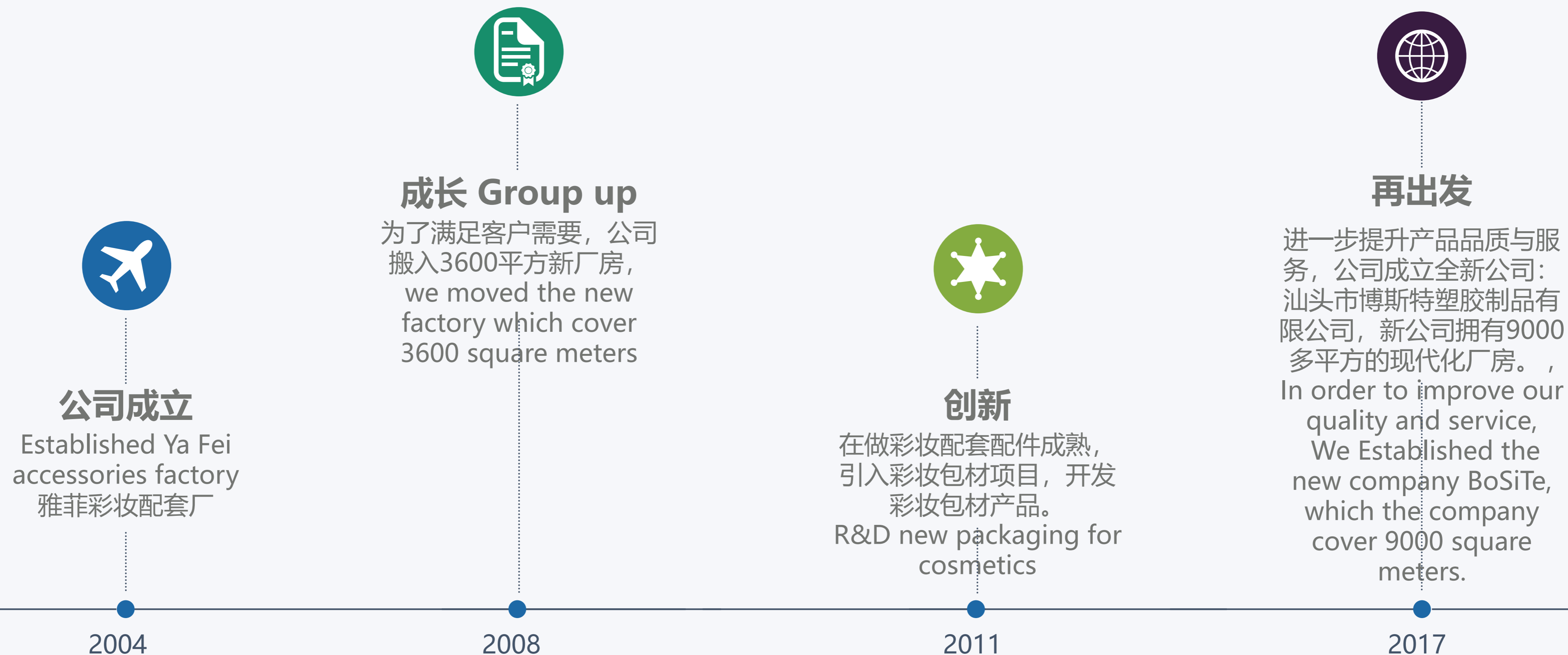
Welcome to visit Bosite

Shantou Bosite plastic products Co., Ltd. is a professional manufacturer factory, specializing in the design, development and sales of cosmetics packaging containers. It's a new factory which upgrade by Yafei accessories factory with quality&production capacity. After more than 10 years of development, the new factory has more than 9000 square meters of modern factory, dust-free assembly workshop, modern injection molding workshop, thirty-three high precision injection molding machines (fourteen of which have reached 19) and blowing bottles, advanced equipment such as machine, silk printing and gold stamping, etc.

We are focus on development of new&excellent products and to provide customers with professional knowledge consulting services, and produce various types of packaging containers according to the needs of different customers design and request. At present, we have a number of high-quality professional and technical engineer and management stuff, strong technical force, to meet the demand of customers for different specifications of cosmetics, from the mold design and manufacturing, injection molding, product surface decoration to a complete package of packaging technology, for customers to provide high quality and quick service.

Relying on technology to develop and continuously providing satisfactory products for the customer is our constant pursuit. The company adheres to the tenet of "quality and honesty", creates new high, strict management, pursuit of excellence, and is committed to providing customers with better quality and perfect packaging, more weekly service, more reasonable price, constant price. With new technology and innovative consciousness, we will create brilliant achievements in the cosmetics industry with our customers.

发展历史 Development history



Our factory



1

海天天龙2代注塑机 Injection Machine

2

办公区域 (Office)

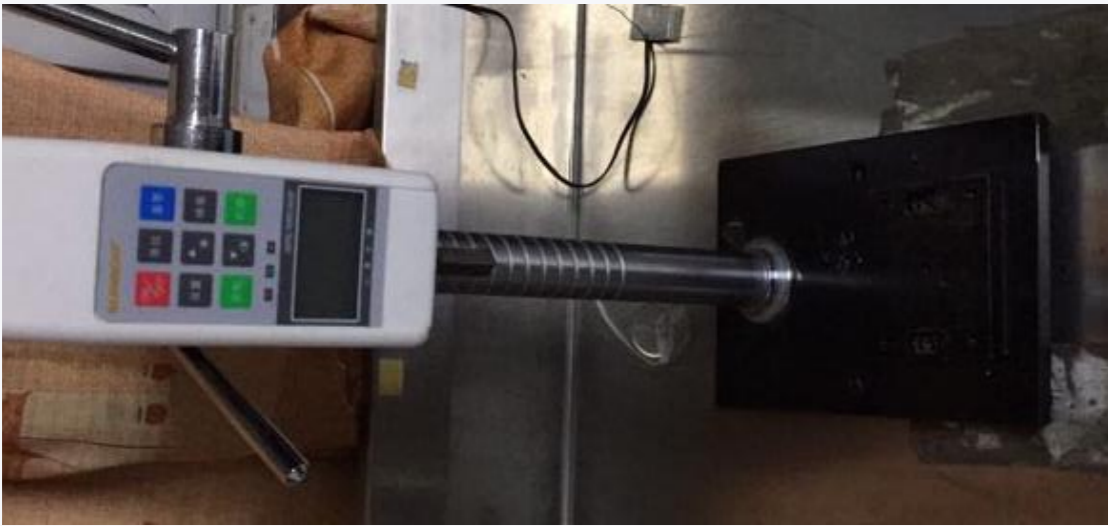
3

烫金丝印设备 (SS/HS printing)

4

组装线 (Assembly Line)

QC Lab



- 1
- 2
- 3
- 4
- 5

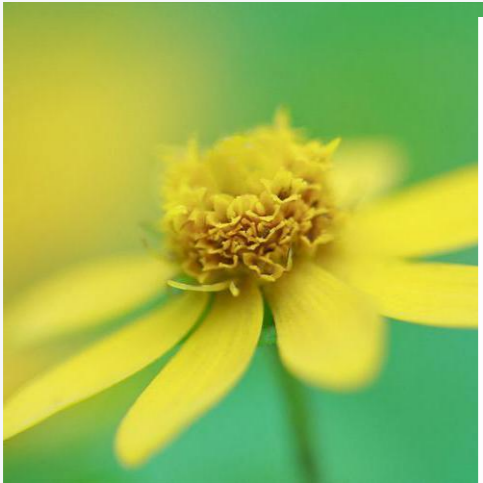
真空测漏 (Leakage test)

高低温测试箱(Environment test)

拉力测试仪 (Push test)

扭力测试仪 (Torque test)

Certificate: BSCI, GMPC ISO9001



Lip gloss Series

Item No: BP1801

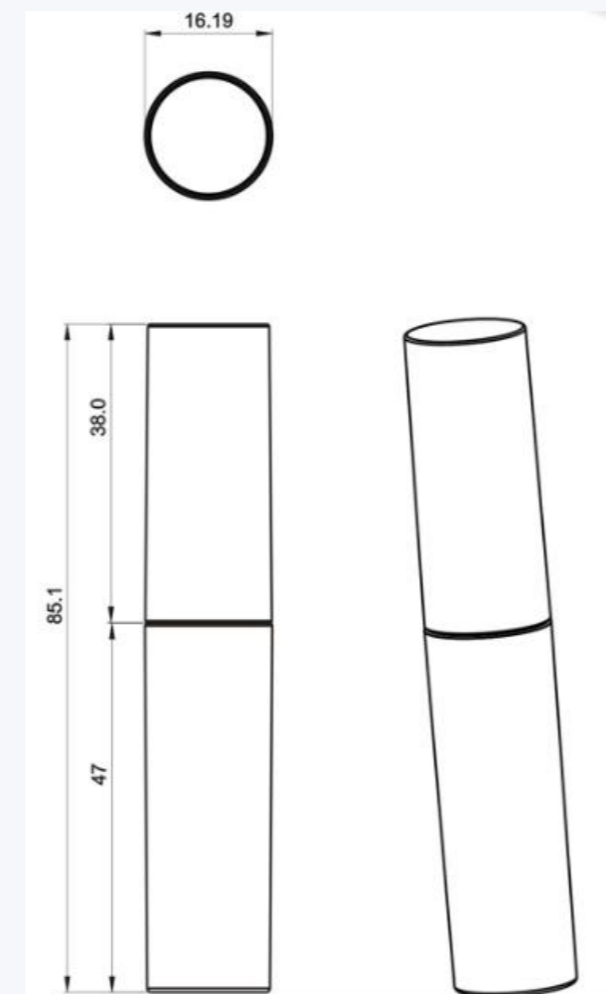
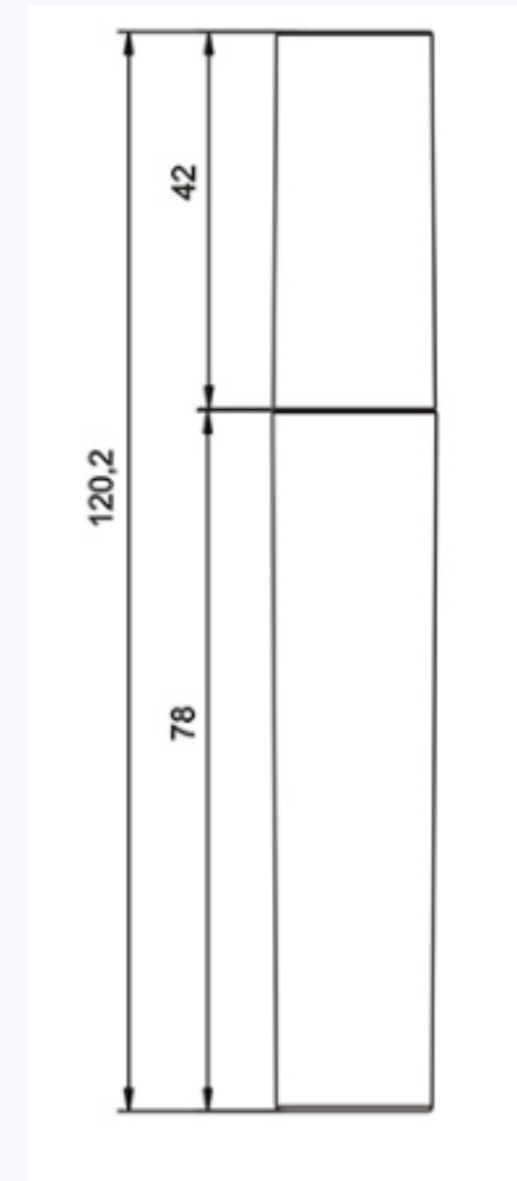
Material : Cap: ABS, Bottle: AS/PETG,
Inner cap: PP

Dimension: Dia: 18mm Height: 120mm

Capacity: 3.5ml

MOQ : 20K

Leadtime for 1st order/reorder: 35 days



Item No: BP1802

Material : Cap: ABS, Bottle: AS/EPETG, Inner
cap:PP

Dimension: Dia: 16.3mm Height: 84.40mm

Capacity: 2.5ml

MOQ : 20K

Leadtime for 1st order/reorder: 35 days

Lip gloss Series

Item No: BP1809

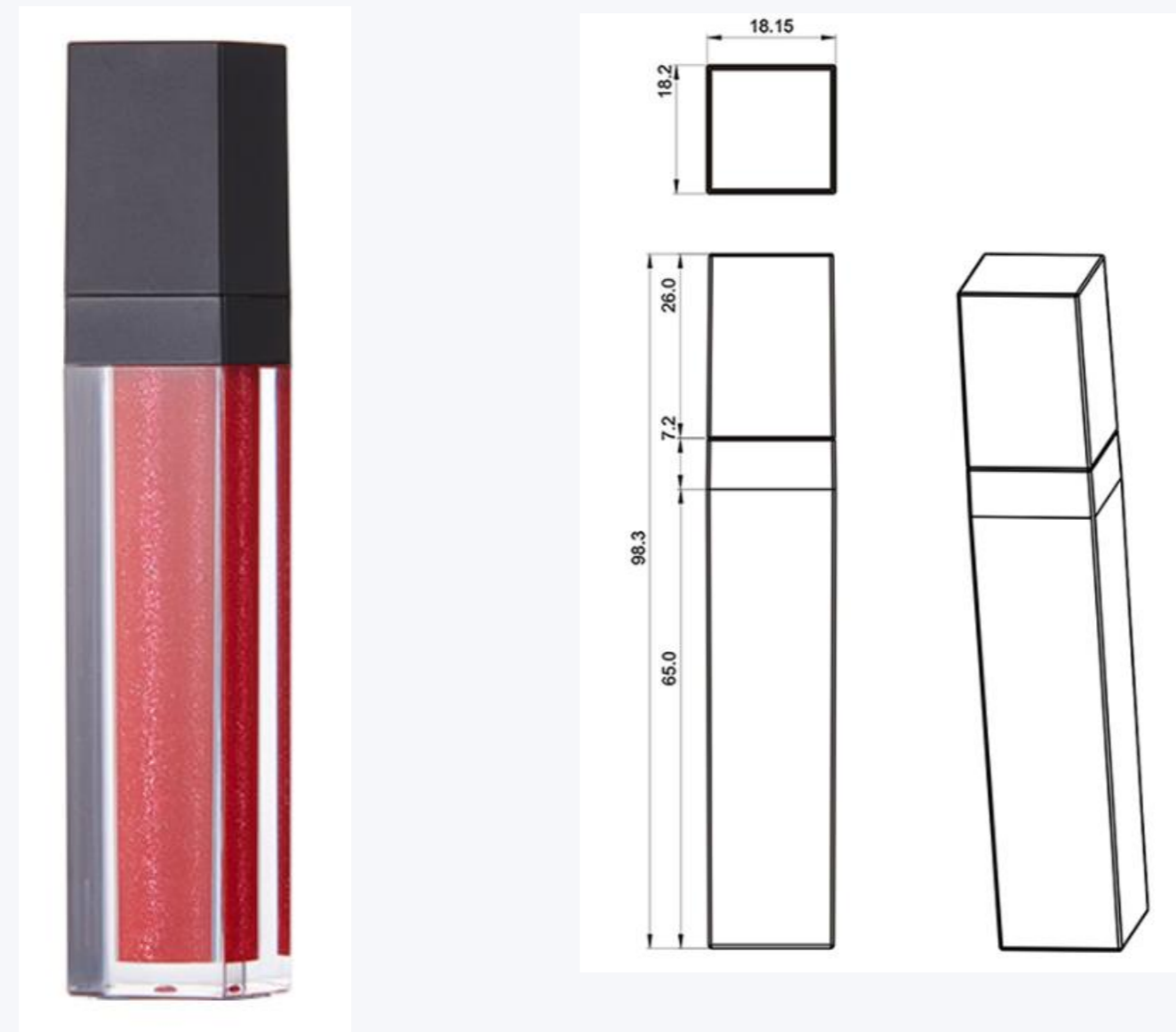
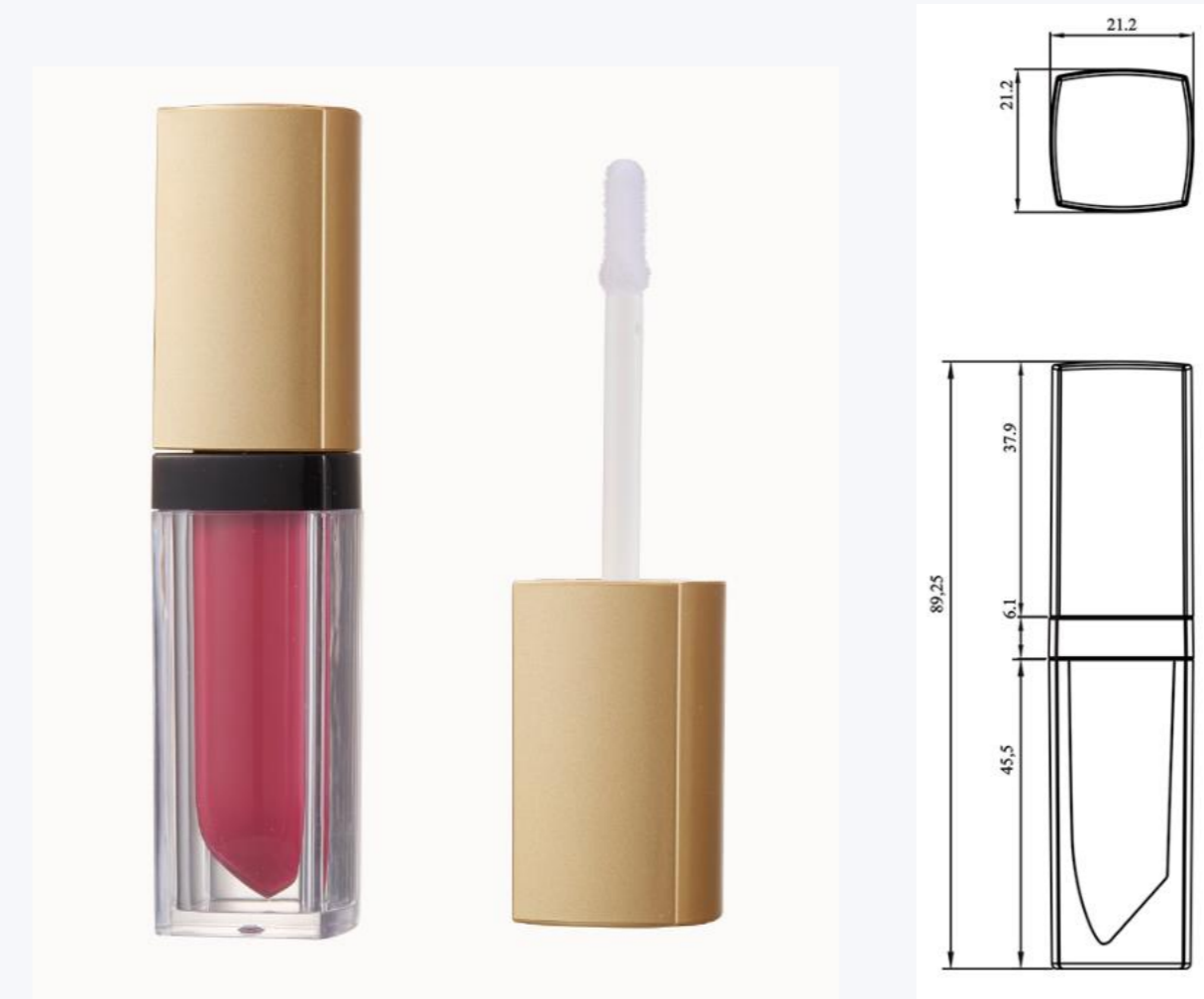
Material : Cap: ABS, Bottle: AS, Inner cap: PP

Dimension: Width: 21.2mm Height: 89.25mm

Capacity: 4.5ml

MOQ : 20K

Leadtime for 1st order/reorder: 35 days



Item No: BP1810

Material : Cap: ABS, Bottle: AS, Inner cap:PP

Dimension: Width: 18mm Height: 98mm

Capacity: 7.5ml

MOQ : 20K

Leadtime for 1st order/reorder: 35 days

Lip gloss Series

Item No: BP1811

Material : Cap: ABS, Bottle:AS/PETG Inner cap:
PP

Dimension: Width: 18mm Height: 72mm

Capacity: 2.5ml

MOQ : 20K

Leadtime for 1st order/reorder: 35 days



Item No: BP1812

Material : Cap: ABS, Bottle: AS/PETG, Inner
cap:PP

Dimension: Width: 20mm Height: 105mm

Capacity: 3.2ml

MOQ : 20K

Leadtime for 1st order/reorder: 35 days

Lip gloss Series

Item No: BP1101

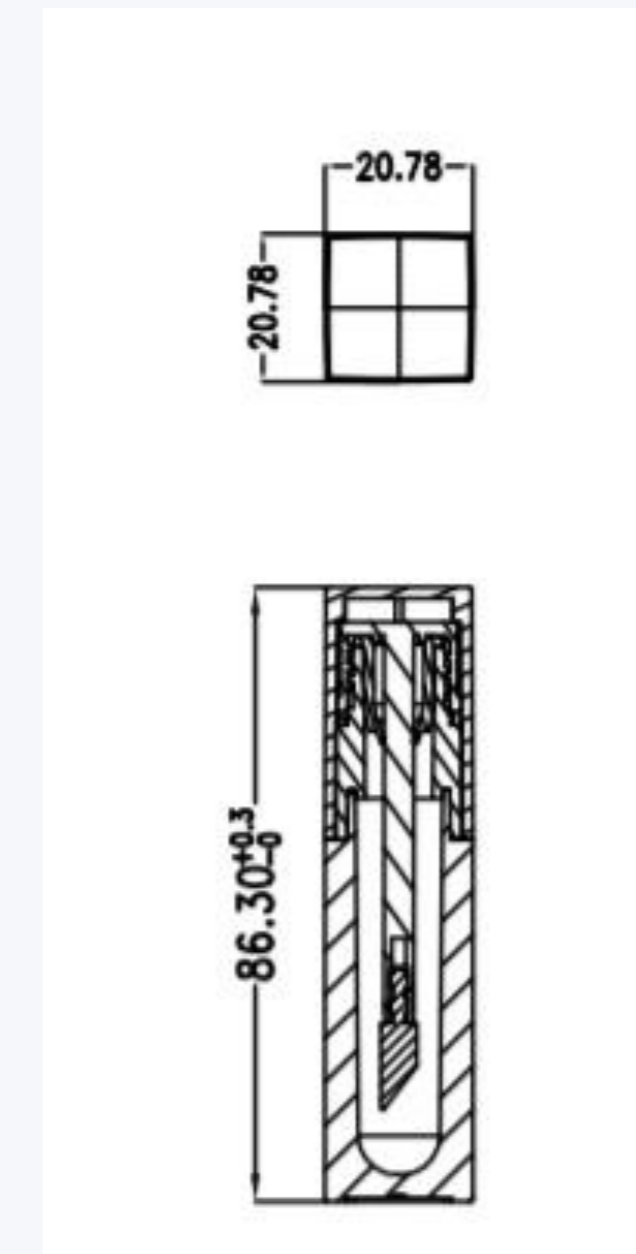
Material : Cap: ABS, Bottle:AS Inner cap: PP

Dimension: Width: 20.76mm Height: 86.3mm

Capacity: 6.5ml

MOQ : 20K

Leadtime for 1st order/reorder: 35 days



Item No: BP1113

Material : Cap: ABS, Bottle: AS, Inner cap:PP

Dimension: Dia: 21mm Height: 75mm

Capacity: 7.5ml

MOQ : 20K

Leadtime for 1st order/reorder: 35 days

Lip gloss Series

Item No: BP1102

Material : Cap: ABS, Bottle: AS/PETG, Inner cap:PP

Dimension: Dia: 16mm Height: 105mm

Capacity: 4.5ml

MOQ : 20K

Leadtime for 1st order/reorder: 35 days



Item No: BP1103

Material : Cap: ABS, Bottle: AS, Inner cap:PP

Dimension: Width: 19.8mm Height: 100.6mm

Capacity: 4.1ml

MOQ : 20K

Leadtime for 1st order/reorder: 35 days

Lip gloss Series

Item No: BP1104

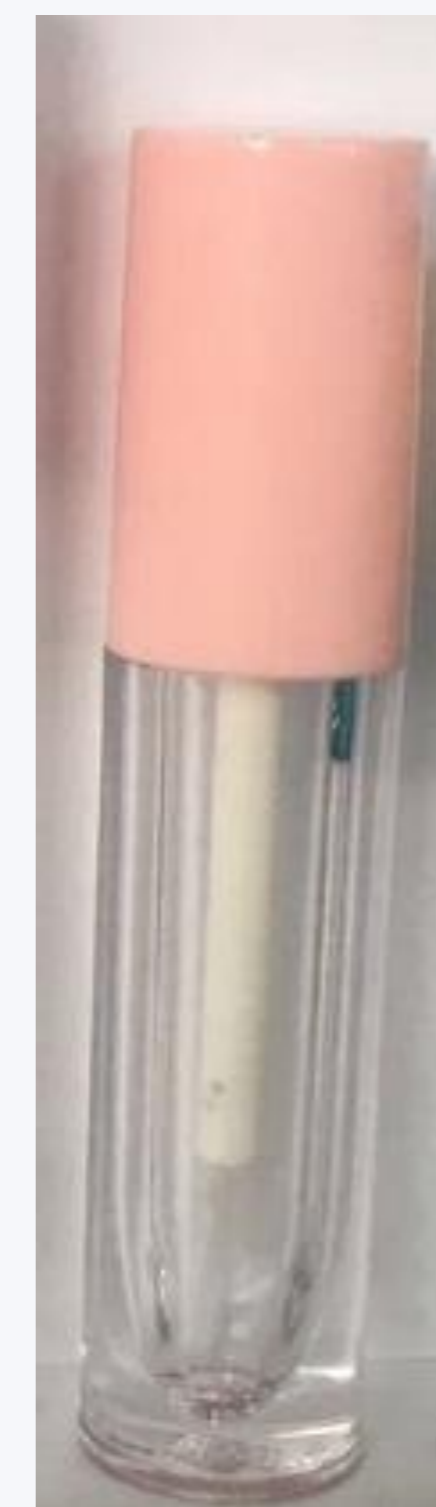
Material : Cap: ABS, Bottle: AS, Inner cap:PP

Dimension: Dia: 20mm Height: 90.2mm

Capacity: 4ml

MOQ : 20K

Leadtime for 1st order/reorder: 35 days



Item No: BP1106

Material : Cap: ABS, Bottle: AS, Collar: ABS

Dimension: Dia: 22.5mm Height: 75.2mm

Capacity: 4ml

MOQ : 20K

Leadtime for 1st order/reorder: 35 days

Lip gloss Series

Item No: BP1105 (LG3029)

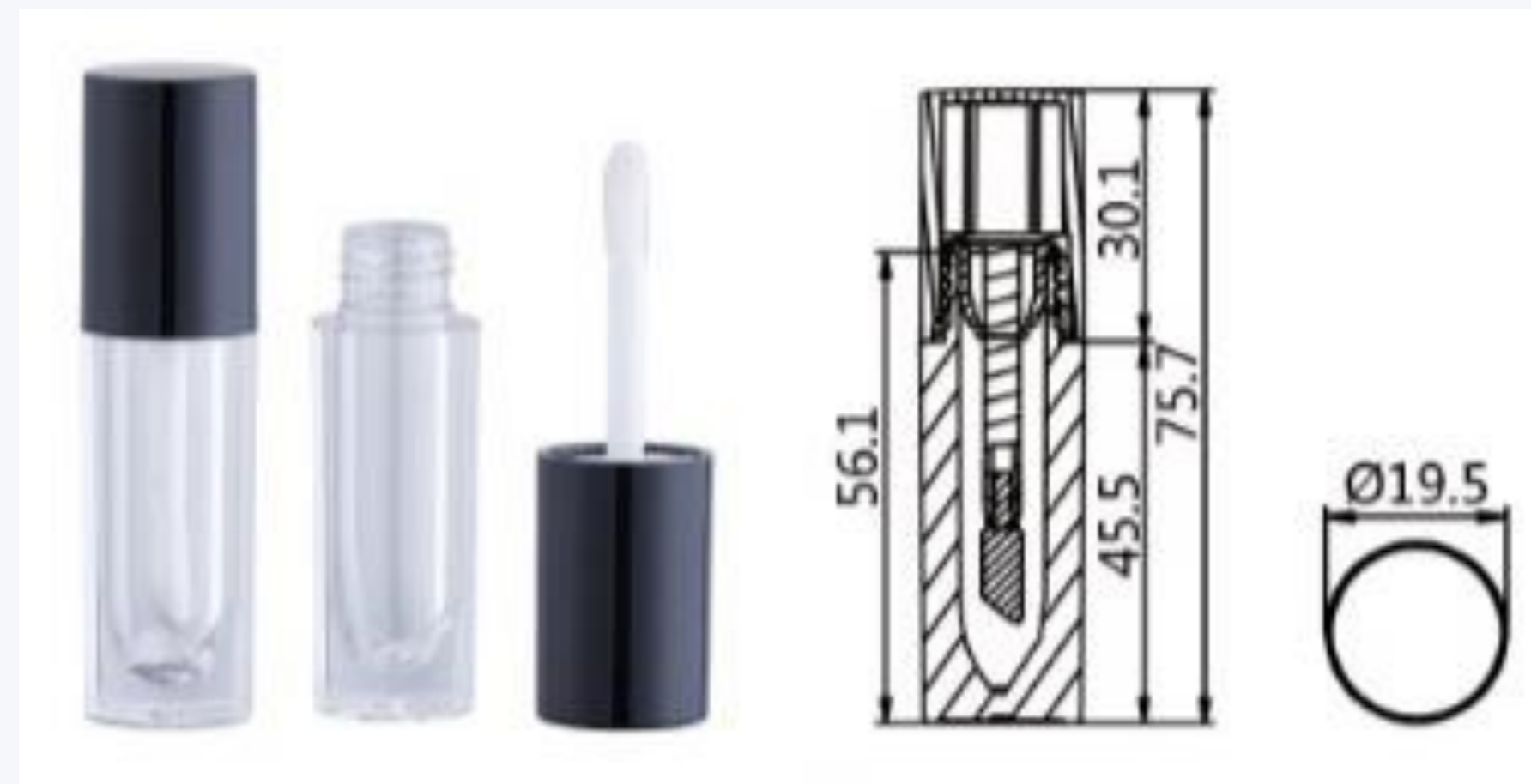
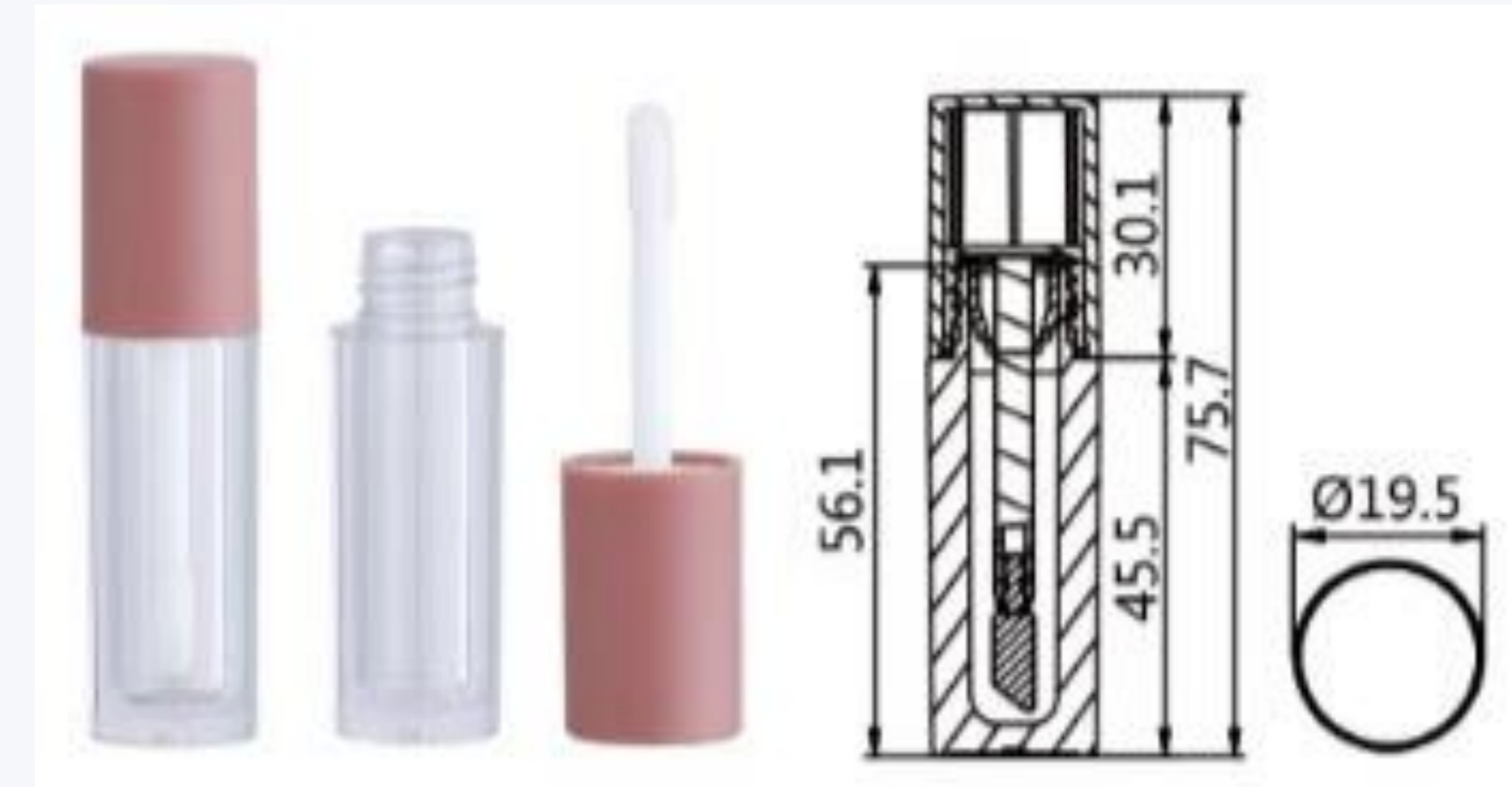
Material : Cap: ABS, Bottle: AS, Inner cap:PP

Dimension: Dia: 19.5mm Height: 75.70mm

Capacity: 2.5ml

MOQ : 20K

Leadtime for 1st order/reorder: 35 days



Item No: BP1105B(LG3029B)

Material : Cap: ABS, Bottle: AS, Inner cap: PP

Dimension: Dia: 19.5mm Height: 75.70mm

Capacity: 2.4ml

MOQ : 20K

Leadtime for 1st order/reorder: 35 days

Lip gloss Series

Item No: CP1803

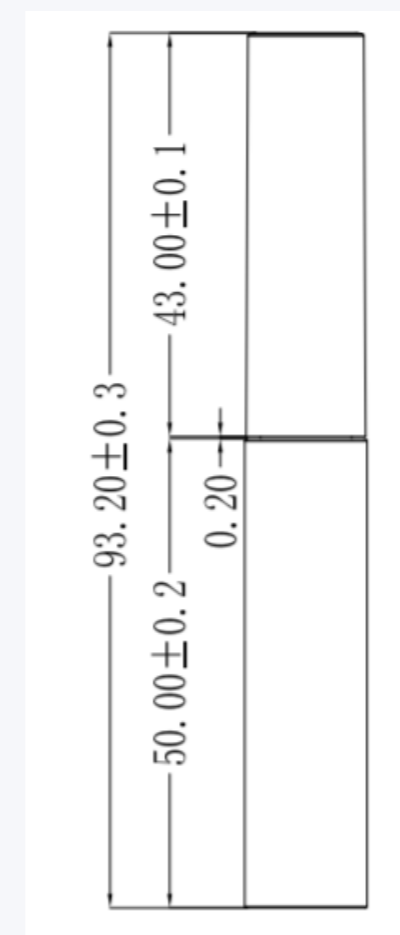
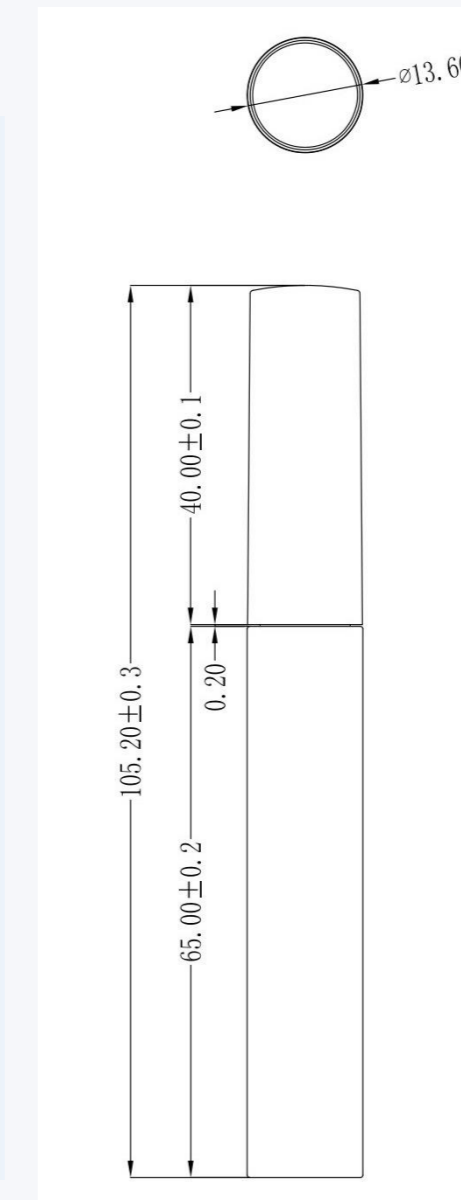
Material : Cap: ABS, Bottle: PETG(Blow), Inner cap: PP

Dimension: Dia: 13.6mm Height: 105mm

Capacity: 5.4ml

MOQ : 20K

Leadtime for 1st order/reorder: 35 days



Item No: CP1804

Material : Cap: ABS, Bottle: PETG Blow, Inner cap:PP

Dimension: Dia: 13mm Height: 93mm

Capacity: 3.8ml

MOQ : 20K

Leadtime for 1st order/reorder: 35 days

Lip gloss Series

Item No: CP1807

Material : Cap: ABS, Bottle: PETG, Inner cap: PP

Dimension: Width: 12mm Height: 66mm

Capacity: 3.5ml

MOQ : 20K

Leadtime for 1st order/reorder: 35 days



Item No: CP1808

Material : Cap: ABS, Bottle:PETG, Inner cap: PP

Dimension: Width: 10.8mm Height: 94.5mm

Capacity: 3.8ml

MOQ : 20K

Leadtime for 1st order/reorder: 35 days

Lip gloss Series

Item No: BP1110

Material : Cap: ABS, Bottle:AS Inner cap: PP

Dimension: Width: 18mm Height: 85mm

Capacity: 6.8ml

MOQ : 20K

Leadtime for 1st order/reorder: 35 days



Item No: CP1815

Material : Cap: ABS, Bottle: PETG,

Dimension: Dia: 17.2mm Height: 91.60mm

Capacity: 8.2ml

MOQ : 20K

Leadtime for 1st order/reorder: 35 days

Lip gloss Series

Item No: CP1813

Material : Cap: ABS, Bottle:PETG Inner cap: PP

Dimension: Width: 16mm Height: 93mm

Capacity: 8.4ml

MOQ : 20K

Leadtime for 1st order/reorder: 35 days



Item No: CP1814

Material : Cap: ABS, Bottle: PETG, Inner cap:PP

Dimension: Width: 16mm Height: 107mm

Capacity: 10.6ml

MOQ : 20K

Leadtime for 1st order/reorder: 35 days

Mascara Series

Item No: CP1805

Material : Cap: ABS, Bottle: PETG

Dimension: Dia: 17mm Height:110mm

Capacity: 5.5ml

MOQ : 20K

Leadtime for 1st order/reorder: 35 days



Item No: CP1816

Material : Cap: ABS, Bottle: PETG

Dimension: Dia: 16mm Height:128mm

Capacity: 12ml

MOQ : 20K

Leadtime for 1st order/reorder: 35 days

Mascara Series

Item No: CP1817

Material : Cap: ABS, Bottle: PETG,

Dimension: Dia: 21mm Height: 117.5mm

Capacity: 15ml

MOQ : 20K

Leadtime for 1st order/reorder: 35 days



Item No: CP1818

Material : Cap: ABS, Bottle: PETG

Dimension: Dia: 20.5mm Height:102mm

Capacity: 10ml

MOQ : 20K

Leadtime for 1st order/reorder: 35 days

Lipstick Series

Item No: BK8100

Material : Cap: ABS, Base: ABS, Inner cap: PP

Dimension: Dia: 21.5mm Height: 75.90mm

Cup size: 12.1mm, 12.7mm

MOQ : 20K

Leadtime for 1st order/reorder: 35 days



Item No: BK8101

Material : Cap: ABS, Base: ABS, A-Shell: ABS

Dimension: width: 21mm Height: 67mm

Cup size: 12.1mm, 12.7mm

MOQ : 20K

Leadtime for 1st order/reorder: 35 days

Lipstick Series

Item No: BK8102

Material : Cap: ABS, Base: ABS, A-Shell: ABS

Dimension: Width: 21mm Height: 80mm

Cup size: 12.1mm, 12.7mm

MOQ : 20K

Leadtime for 1st order/reorder: 35 days



Item No: BK8103

Material : Cap: ABS, Base: ABS, A-Shell: ABS

Dimension: width: mm Height: mm

Cup size: mm, mm

MOQ : 20K

Leadtime for 1st order/reorder: 35 days

Slim Lipstick Series

Item No: BK8104

Material : Cap: ABS, Base: ABS, A-Shell: ABS

Dimension: width: 20mm Height: 75mm

Cup size: 12.7mm, 12.1mm

MOQ : 20K

Leadtime for 1st order/reorder: 35 days



Item No: BK8105

Material : Cap: ABS, Base: ABS, A-Shell: ABS

Dimension: width: 21mm Height: 74mm

Cup size: 12.7mm, 12.1mm

MOQ : 20K

Leadtime for 1st order/reorder: 35 days

Slim Lipstick Series

Item No: BK8106

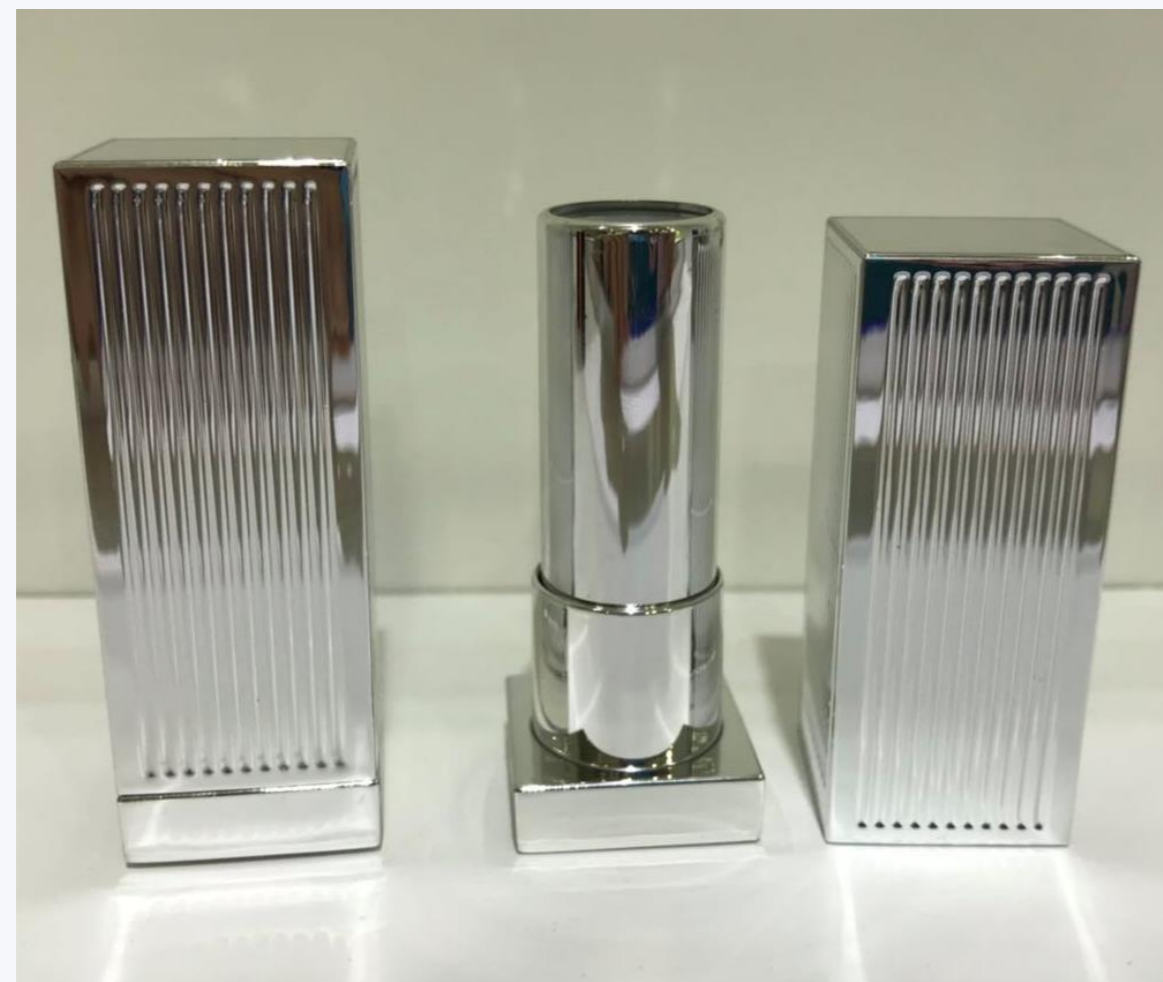
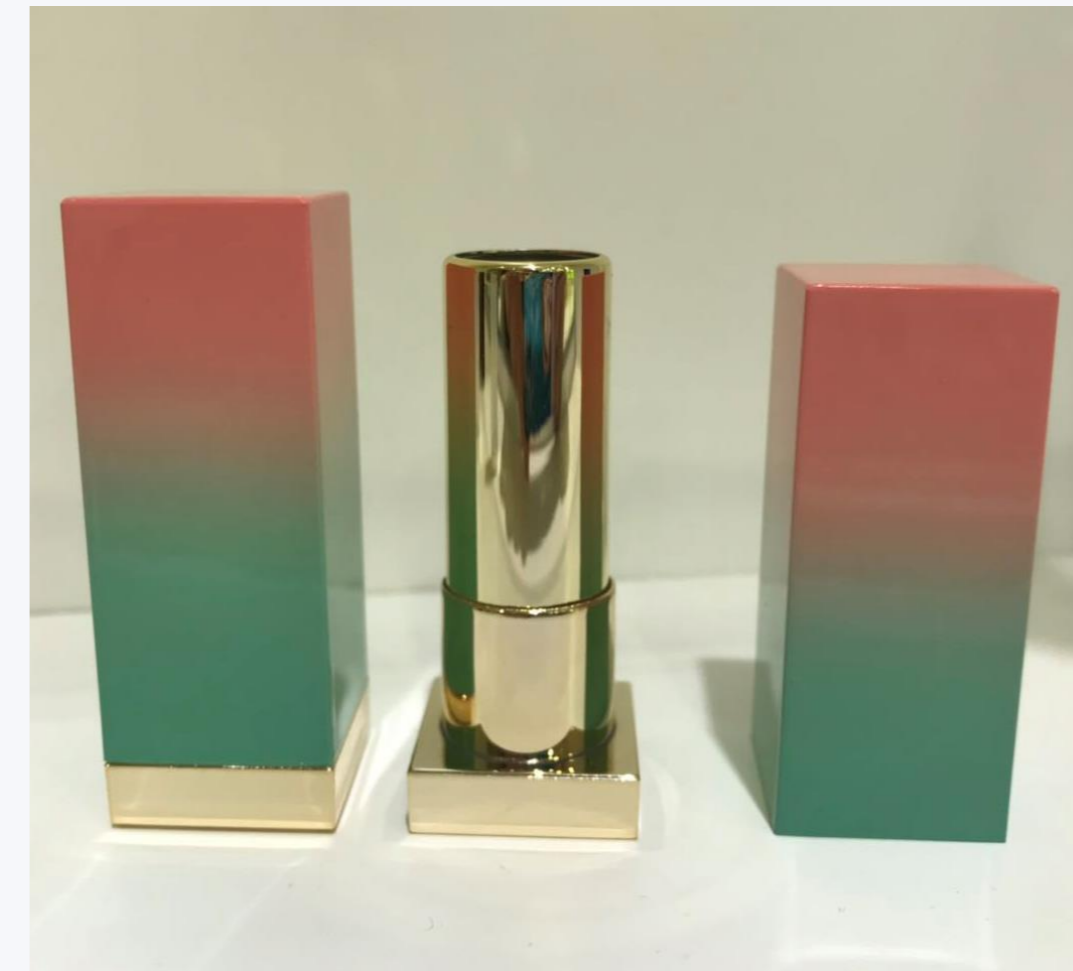
Material : Cap: ABS, Base: ABS, A-Shell: ABS

Width: 23mm Length: 23mm Height: 61mm

Cup size: 12.7mm, 12.1mm

MOQ : 20K

Leadtime for 1st order/reorder: 35 days



Item No: BK8106B

Material : Cap: ABS, Base: ABS, A-Shell: ABS

Width: 23mm Length: 23mm Height: 61mm

Cup size: 12.7mm, 12.1mm,

MOQ : 20K

Leadtime for 1st order/reorder: 35 days

Lipstick Series

Item No: BK8107

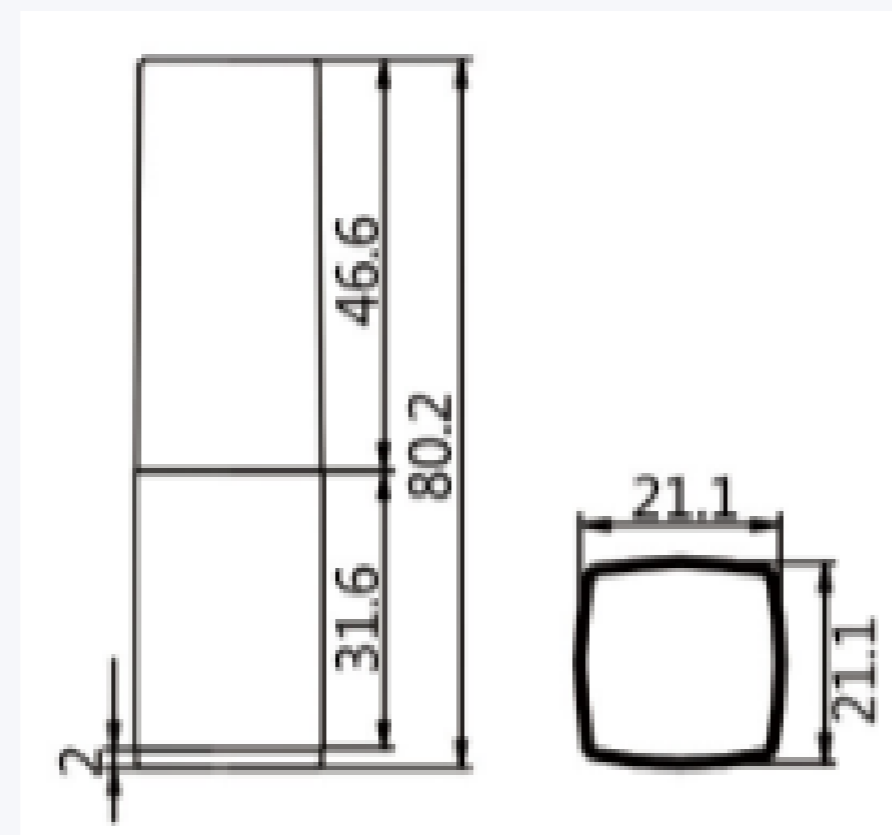
Material : Cap: ABS, Base: ABS, A-Shell: ABS

Length: 26 width: 23mm Height: 79mm

Cup size: 12.1mm, 12.7mm

MOQ : 20K

Leadtime for 1st order/reorder: 35 days



Item No: BK8045

Material : Cap: ABS, Base: ABS, A-Shell: ABS

Dimension: width: 21mm Height: 80.20mm

Cup size: 12.1mm, 12.7mm

MOQ : 20K

Leadtime for 1st order/reorder: 35 days

Lipstick Series

Item No: BK8108

Material : Cap: ABS, Base: ABS, A-Shell: ABS

Dimension: Diameter: 20mm Height: 120mm

Cup size: 12.1mm, 12.7mm

MOQ : 20K

Leadtime for 1st order/reorder: 35 days



Item No: BK8109

Material : Cap: AS, Base: ABS, A-Shell: ABS

Dimension: Diameter: 20mm Height: 119mm

Cup size: 12.1mm, 12.7mm

MOQ : 20K

Leadtime for 1st order/reorder: 35 days

Lipstick Series

Item No: BK8111(Magnet)

Material : Cap: ABS, Base: ABS, A-Shell: ABS

Diameter: 20.5mm Height: 84.5mm

Cup size: 10.8mm

MOQ : 20K

Leadtime for 1st order/reorder: 35 days



Item No: BK8112 (Magnet)

Material : Cap: ABS, Base: ABS, A-Shell: ABS

Dimension: Diameter: 21mm Height: 75mm

Cup size: 12.7mm, 12.1mm

MOQ : 20K

Leadtime for 1st order/reorder: 35 days

Lipstick Series

Item No: BK8113

Material : Cap: AS, Base: AS, A-Shell: ABS

Dimension: width: 22mm Height: 79mm

Cup size: 12.7mm, 12.1mm

MOQ : 20K

Leadtime for 1st order/reorder: 35 days



Item No: BK8114

Material : Cap: ABS, Base: ABS, A-Shell: ABS

Diameter: 20.4mm Height: 70mm

Cup size: 12.7mm, 12.1mm

MOQ : 20K

Leadtime for 1st order/reorder: 35 days

Lipstick Series



Item No: BK7017

Material : Cap: AS, Base: AS, A-Shell: ABS

Dimension: width: 24mm Height: 77mm

Cup size: 12.7mm, 12.1mm

MOQ : 20K

Leadtime for 1st order/reorder: 35 days



Item No: BK8110

Material : Cap: ABS, Base: ABS, A-Shell: ABS

Dimension: width: 28.2mm Height: 86mm

Cup size: 21mm

MOQ : 20K

Leadtime for 1st order/reorder: 35 days

Mini Lipstick Series

Item No: BL8037

Material : Cap: AS, Base: ABS, A-Shell: ABS

Dimension: Dia: 16mm Height: 56mm

Cup size: 8mm

MOQ : 20K

Leadtime for 1st order/reorder: 35 days



Item No: BL8037

Material : Cap: AS, Base: ABS, A-Shell: ABS

Dimension: width: 17mm Height: 56mm

Cup size: 8mm

MOQ : 20K

Leadtime for 1st order/reorder: 35 days

Case series

Item No: BH2100

Material : Cap: AS , Bottle: AS/PETG,

Dimension: Diameter: 26mm Height: 48mm

MOQ : 20K

Leadtime for 1st order/reorder: 35 days



Item No: BH2101(loose powder case)

Material : Cap: AS, Bottle: AS

Dimension: Dia: 26mm Height: 63.5mm

MOQ : 20K

Leadtime for 1st order/reorder: 35 days

Case series

Item No: BH2103

Material : Cap: ABS, Base: AS,

Dimension: Dia: 49mm Height: 11.8mm,
inside dia: 36mm

MOQ : 20K

Leadtime for 1st order/reorder: 35 days



Item No: BH2103A

Material : Cap: ABS, Base: AS

Dimension: Dia: 57mm Height: 12.5mm,
Inside dia: 41.80mm

MOQ : 20K

Leadtime for 1st order/reorder: 35 days

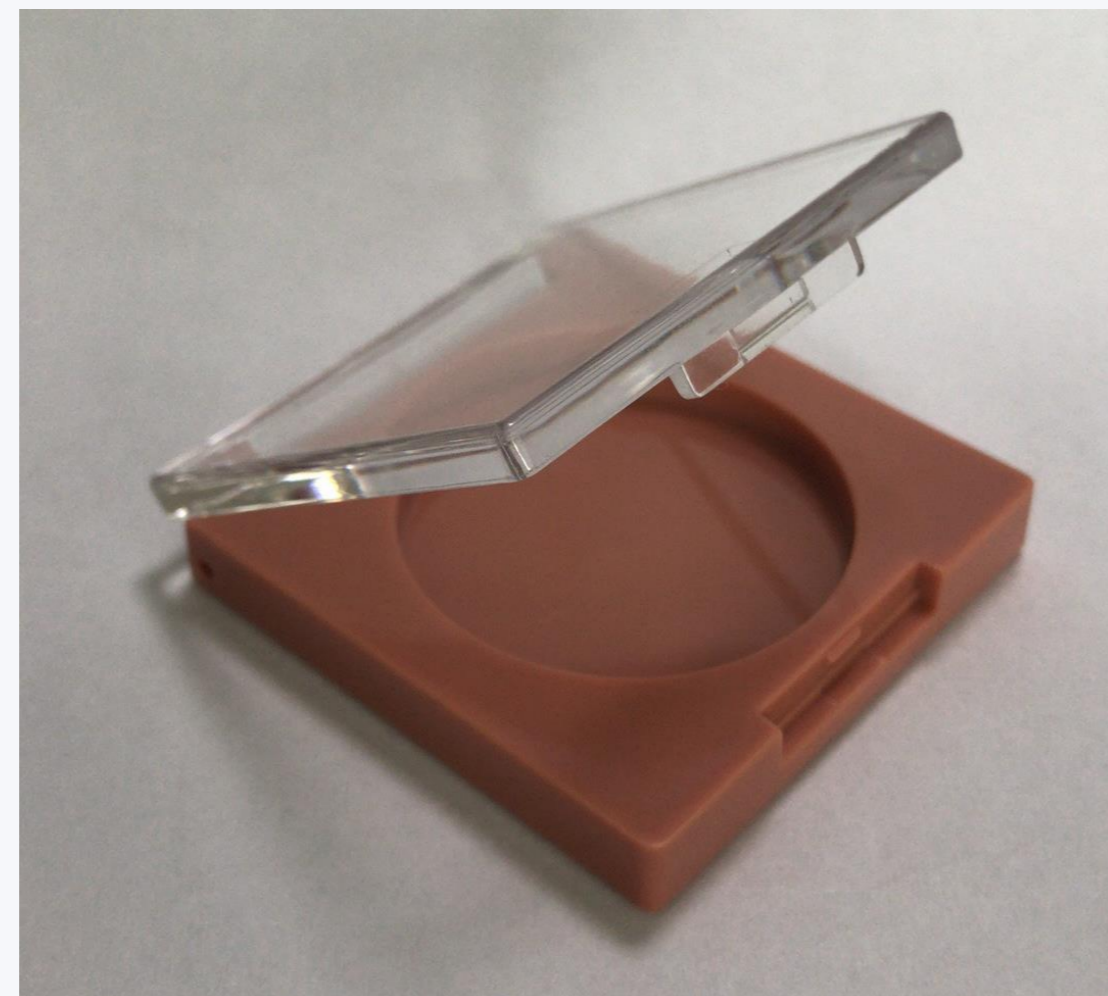
Case series

Item No: BH2104

Material : Cap: ABS/AS, Base: ABS

Dimension: Diameter 82mm, Inside dia: 40mm,
MOQ : 20K

Leadtime for 1st order/reorder: 35 days



Item No: BH2105

Material : Cap: ABS/AS, Base: ABS

Diameter 50mm, Height: 12mm Inside dia: 37mm,
MOQ : 20K

Leadtime for 1st order/reorder: 35 days



感谢您的欣赏
THANKS