

FILLING CAPPING LABELLING SYSTEMS

since 1971



www.pmr.it

Made in Italy Packaging Solutions for over 40 years

We are a Leading Manufacturer of **filling, capping and labeling machines**. We supply standardized and **tailor made solutions** in the food, chemical and cosmetic industries.

Continuous technical improvements are essential to put together machines suitable to different applications from the design-in to the production process.

Strengths include personnel technical expertise and know-how.

Why choose PMR

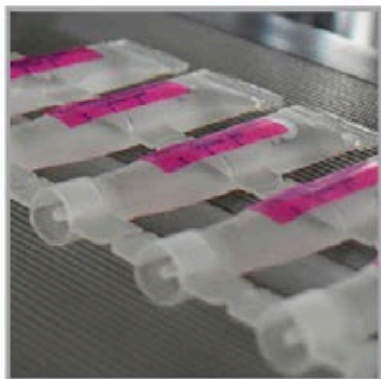
- > **High quality raw materials**
Raw materials and components used in the production process of our machines are tested and guaranteed by our Engineering Team.
- > **Very high reliability and ease of use**
The equipment is designed and developed to offer customers a high level of quality and long term reliability.
- > **In-house design and manufacturing**
All manufacturing stages of the equipment are checked out from the project kick off up until the manufacturing is completed.
- > **Excellent quality / price ratio**
Products combine a good quality level at a competitive price.

REFERENCES

Honored by our customers as they represent a starting point to face new challenges.



We care for your products and we fulfill your needs

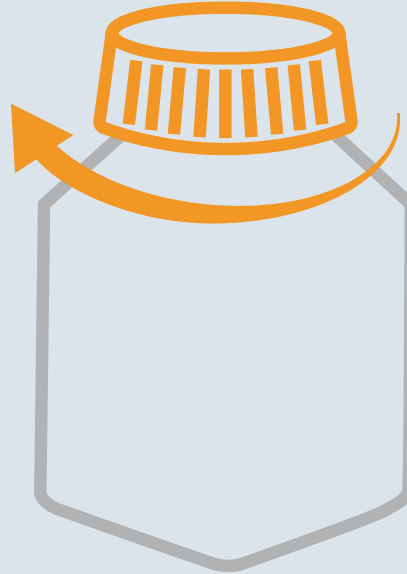


Our solutions



FILLING UNITS

Dosing units are suitable for volumetric, pneumatic and electronic filling of powder, dense and semi-dense products.



CAPPING UNITS

Capping systems are appropriate for each type of closure: screw caps snap or twist off.



LABELLING UNITS

Application equipment can be top, bottom, front/back, wraparound, Print & Apply, security seal and others.

FILLERS

Our solutions are suitable to fill:



CREAMS



LIQUIDS



POWDERS



NAIL POLISH



AGGRESSIVE PRODUCTS



CAPPERS

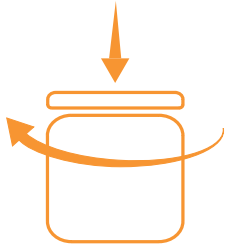
Our closing systems are for caps:



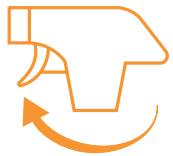
SCREW



PRESSURE



TWIST OFF



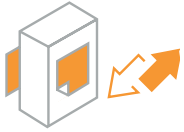
TRIGGER

We realize also tailored **pick and place** systems for automatic cap positioning.

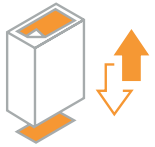


LABELLERS

Our solutions are suitable to apply labels:



FRONT AND
BACK



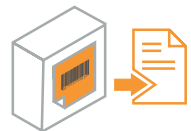
TOP AND
BOTTOM



WRAPAROUND



WRAPAROUND
WITH TAMPER PROOF



PRINT AND
APPLY



OVERPRINTING



TURN-KEY LINES

We realize complete lines to pack all sort of products.



SECTORS

The wide range of PMR solutions is addressed to the herebelow market sectors and responds to multiple technical specifications.



FOOD



CHEMICAL



COSMETIC



BUILDING



PHARMACEUTICAL

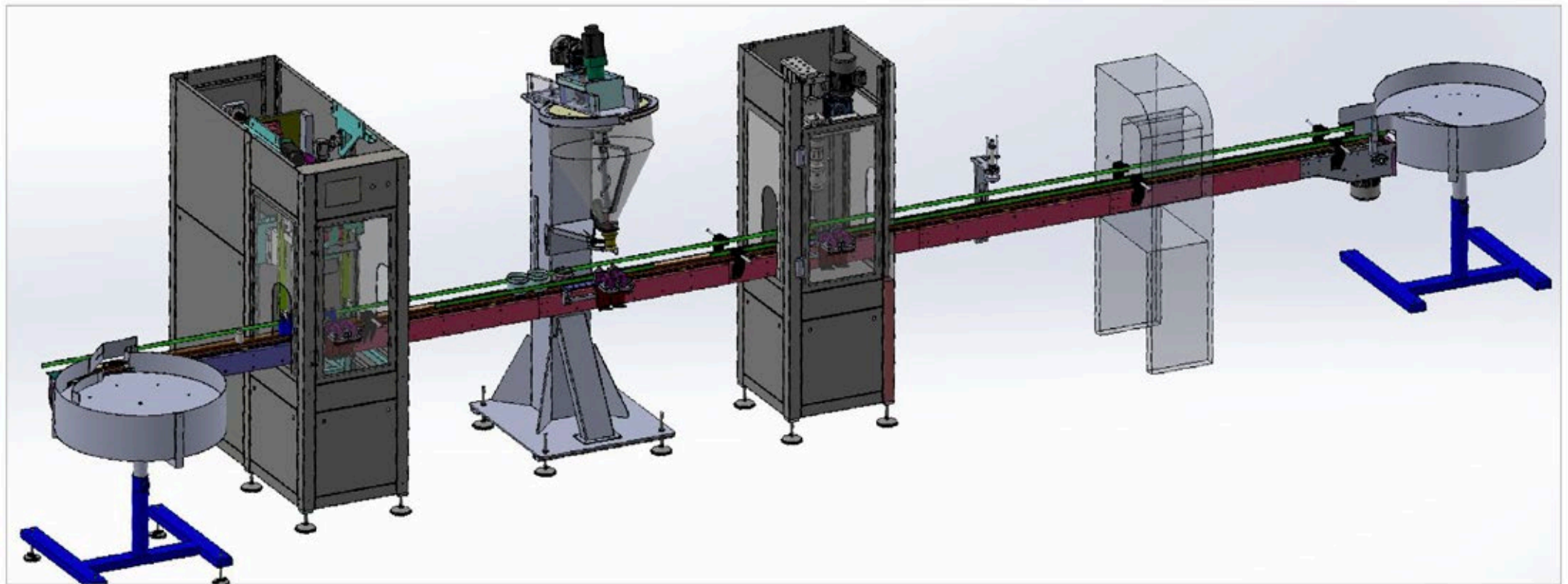
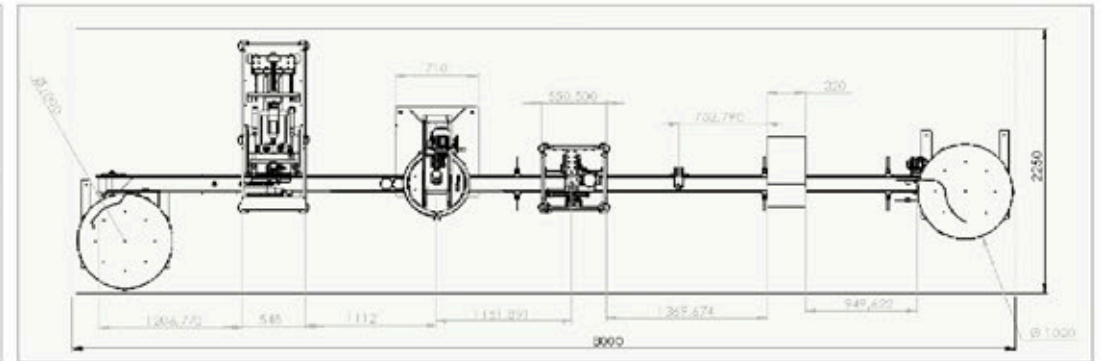
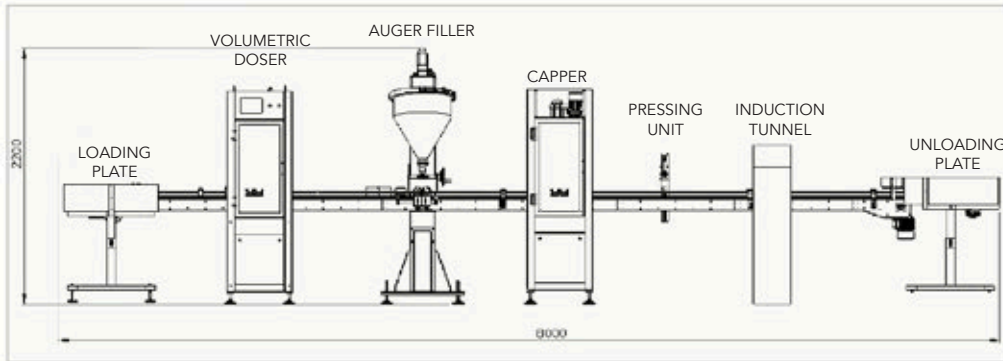


TECHNOLOGICAL



TURN-KEY SOLUTIONS

The equipment is customized and delivered ready to use.



CUSTOMER SERVICE

The experience, the knowledge and the expertise of our technical staff are instrumental to meet customers' expectations and requirements.

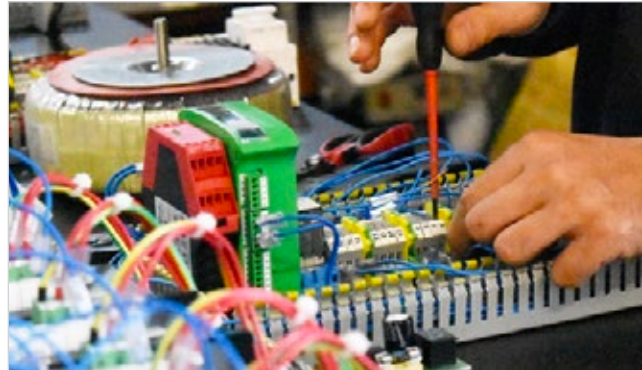


BACK OFFICE AND SALES

(2 employees)

Main activities:

- SPARE PARTS
- SUPPORT
- WARRANTIES AND MAINTENANCE SERVICES PLANNING



ELECTRICAL DPTM SUPPORT

(3 employees)

Main activities:

- HOME ASSISTANCE
- HELPLINE
- SOFTWARE UPDATE



MECHANICAL AND TECHNICAL DPTM SUPPORT

(3 employees)

Main activities:

- SUPPORT FOR SPARE PARTS
- SUGGESTED SPARE PARTS LIST
- CHANGES AND NEW FORMATS
- PREVENTIVE MAINTENANCE SERVICE

PMR WORLDWIDE

Our solutions are located worldwide through a distribution network.



PMR System Group srl

Via Bertacciola 41

20813 Bovisio Masciago (MB) - Italy

+39 0362 594502 +39 0362 594485

pmr@pmr.it - www.pmr.it

